

Inspire Pendant Installation Instructions



Warnings and Safety

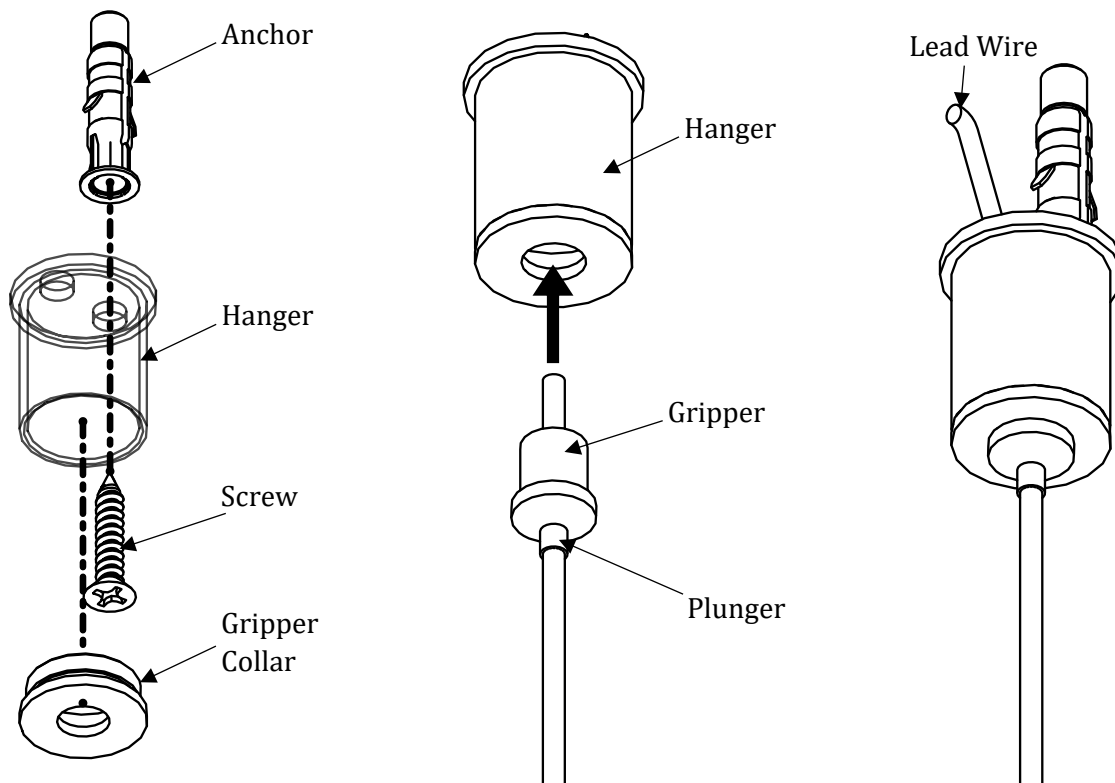
- Please verify the contents of the package!
- Please read instructions before starting the installation.
- Make sure the power is off before installing or modifying the system.
- Call Tivoli LLC tech support with any questions.
- This product is designed to work with listed Class 2, 24V DC transformers only. Use of any other power source will cause damage, shorten the life of the fixture, and will void the warranty.
- Consult any local and national codes for installation.
- Follow basic safety precautions when dealing with any luminaire application to reduce the risk of fire, electrical shock, and/or personal injuries. This lighting system should be installed by a certified professional.
- This lighting system should be installed by a certified professional.
- Must be installed at a minimum 7ft above finished floor.

- **Do not** immerse in water as product damage may result.
- **Do not** bend tighter than a minimum radius of 1.25”.
- **Do not** exceed the maximum run length.
- **Do not** use this product for other than its intended use.
- **Do not** install this lighting system where the exposed bare contacts can be shorted or contact any conductive material to reduce the risk of fire and burns.
- **Do not** use any luminaire if damaged, such as a broken globe, loose connections, or frayed wire insulation. Inspect periodically.
- **Do not** secure any luminaire with staples, nails or like means that might damage the wire insulation.
- **Do not** cover lamps with cloth, paper or any material that is not part of the product.

Inspire Pendant Installation Instructions



Minus Mount Installation

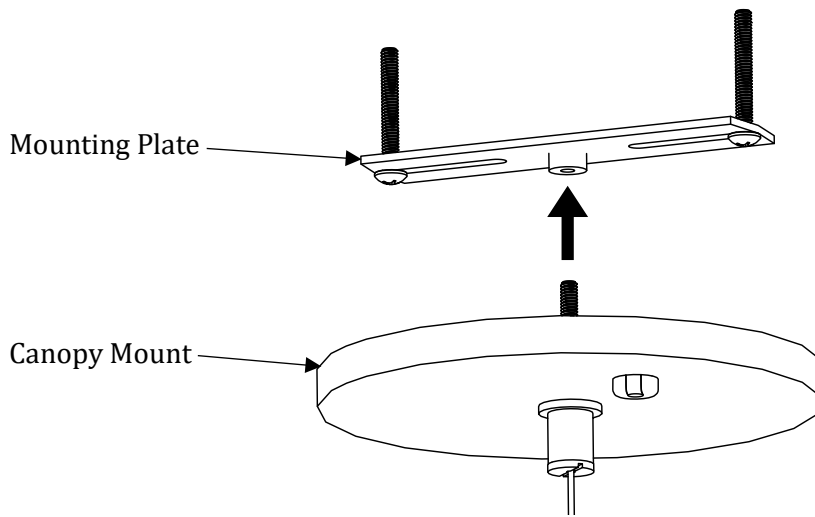


1. Drill hole into mounting surface and insert anchor into the hole.
2. Unscrew the gripper collar. Screw the hanger into the ceiling.
3. Drill a hole in the mounting surface for the lead wire using the other hole in the hanger as a guide.
4. Place the gripper collar into the hanger.
5. Run the lead wire through the hanger and route it through the drilled hole.
6. Screw the gripper into hanger. Use the plunger to adjust the length of the wire.

Inspire Pendant Installation Instructions

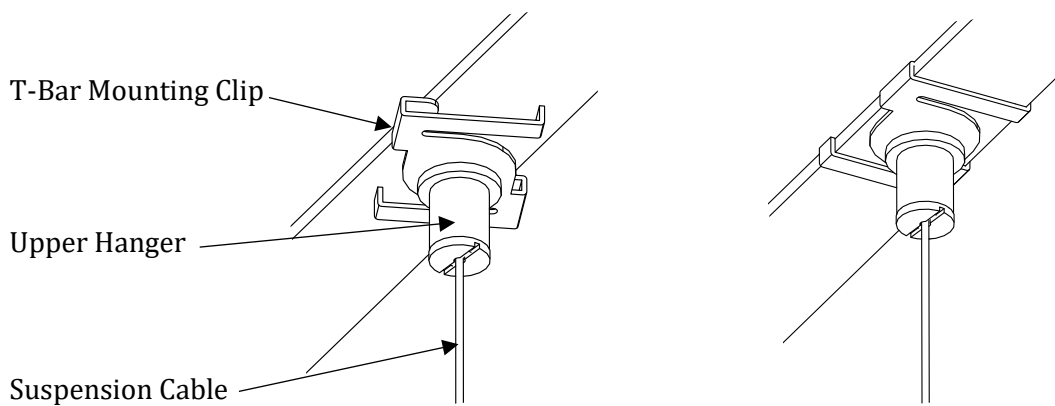


Canopy Mount Installation



1. Attach the mounting plate to the electrical box. If the electrical box does not support the weight of the lighting fixture, attach the plate to a mounting surface that supports its weight and use screws to attach it.
2. Align the canopy mount to the mounting plate and attach it to the mounting plate.
3. Repeat Steps 1-2 for the other canopy mount location.

T-Bar Mount Installation



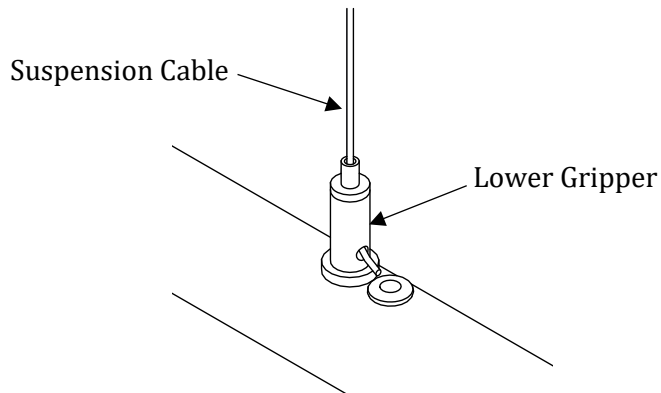
1. Attach the T-Bar mounting clip to the T-Bar ceiling and attach the upper hanger of the suspension cable to the T-Bar Mounting Clip.

Inspire Pendant Installation Instructions

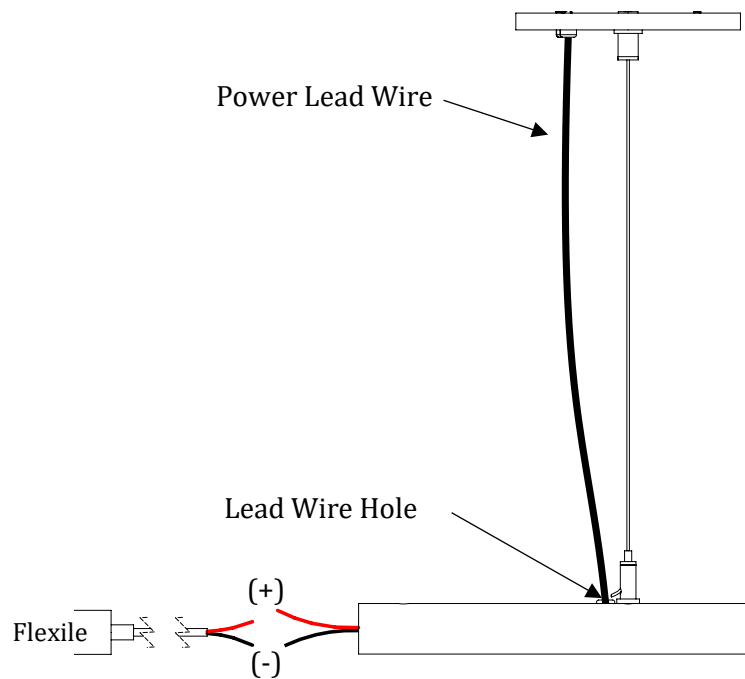


Rod and Light Fixture

1. After placing the mounting hardware, run the suspension cable through the lower gripper, which is attached to the rod. Repeat for other suspension cable.



2. Route the power lead wire through the lead wire hole and connect it to the Flexile



Inspire Pendant Installation Instructions



Wiring Diagram

Connect the power lead wire to the appropriate 24V DC power supply.

NOTE: There are many possible options for powering the light engine. The following wiring diagram is for reference only. See the specification sheet and related power supply specification sheets for more information and detailed wiring instructions.

